

Bed lift

A

- Sheets can be changed easily by lifting the slatted frame (B)
- Maximum use of storage space underneath the slatted frame (C)



Sleeping (A)



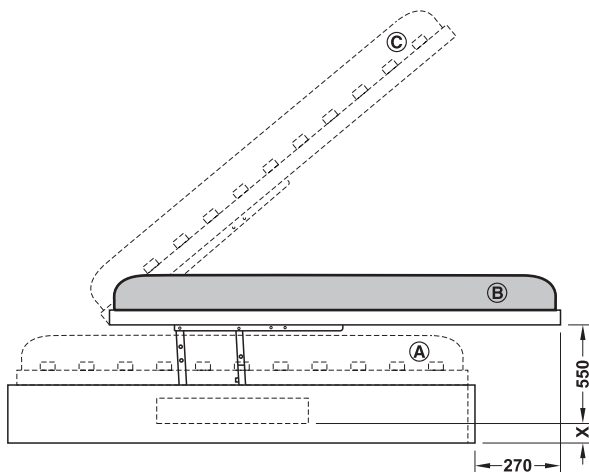
Easy change of sheets (B)



Optimum use of storage space (C)

Bedroom Fittings

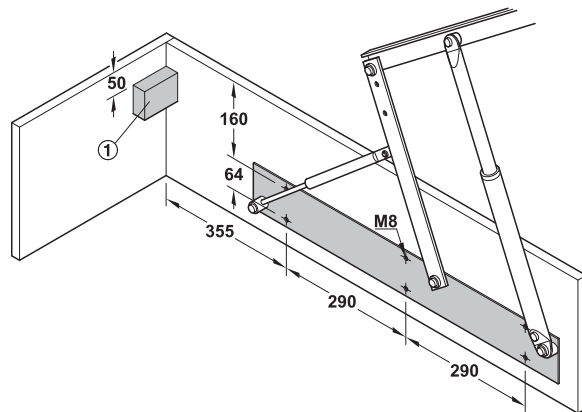
7



Bedding box height min. 260 mm
 Bedding box length = slatted frame length + 50 mm
 Bedding box width = slatted frame width + 30 mm
 X = optional



Note
 Bed weight = total weight of the slatted frame, mattress and bedding



① Support for slatted frame (provided by customer)

- Material: Steel
- Colour: Silver coloured

Supplied with

- 1 Opening mechanism left and right
- 1 Cross bar
- 4 Gas-filled struts
- 2 Fixing profiles for slatted frame
- Fixing material

For mattress size (W x L) mm	Spring force N	Bed weight kg	Cat. No.
900 x 2000	300 + 500	30 – 35	274.52.911
1000 x 2000	300 + 500	30 – 35	274.52.912
1400 x 2000	400 + 800	50 – 60	274.52.913

Packing: 1 set

Order reference

Please order Sanobasic KF slatted frame and mattress separately.

Sanobasic KF slatted frame	► FF 7.49
Mattresses	► FF 7.49

DGH-M-INT 2013, HDE-en, 01/13; Dimensional data not binding. We reserve the right to alter specifications without notice.